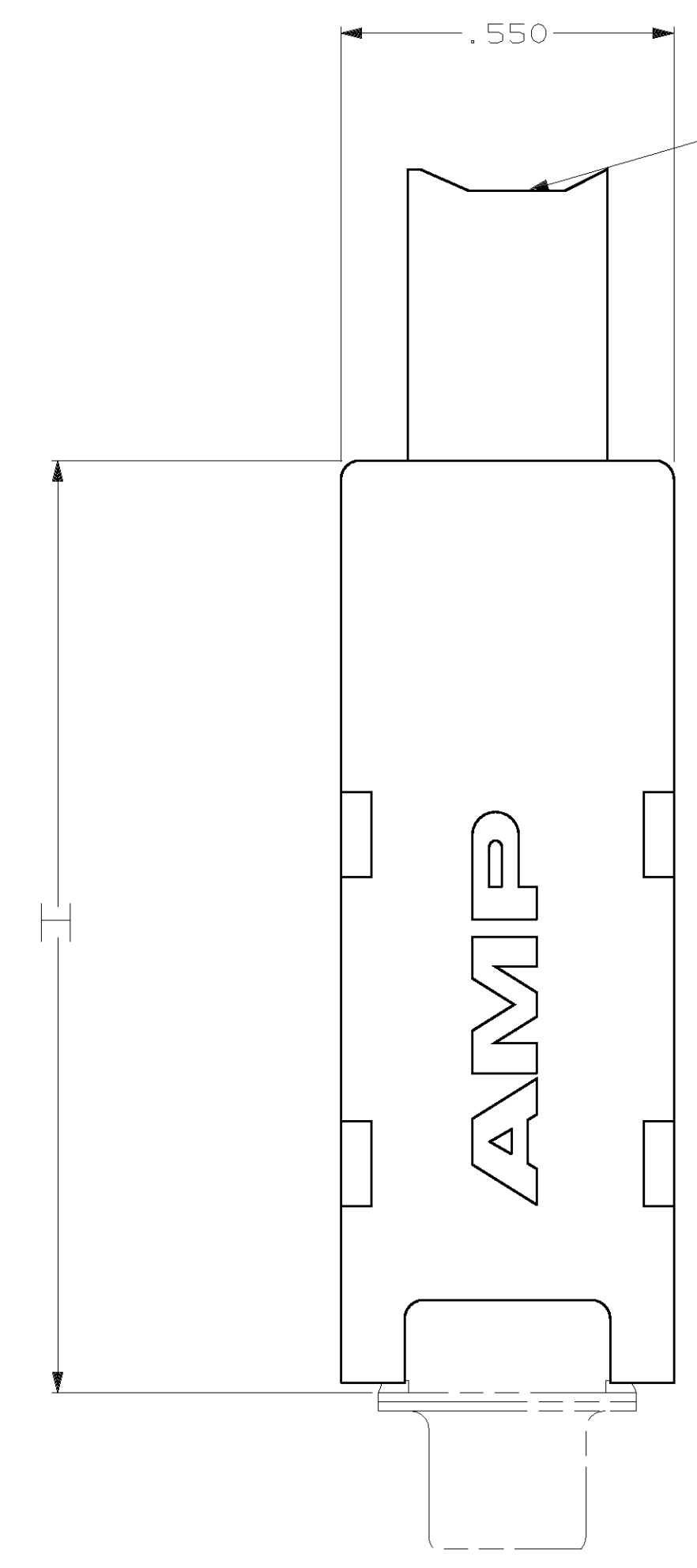
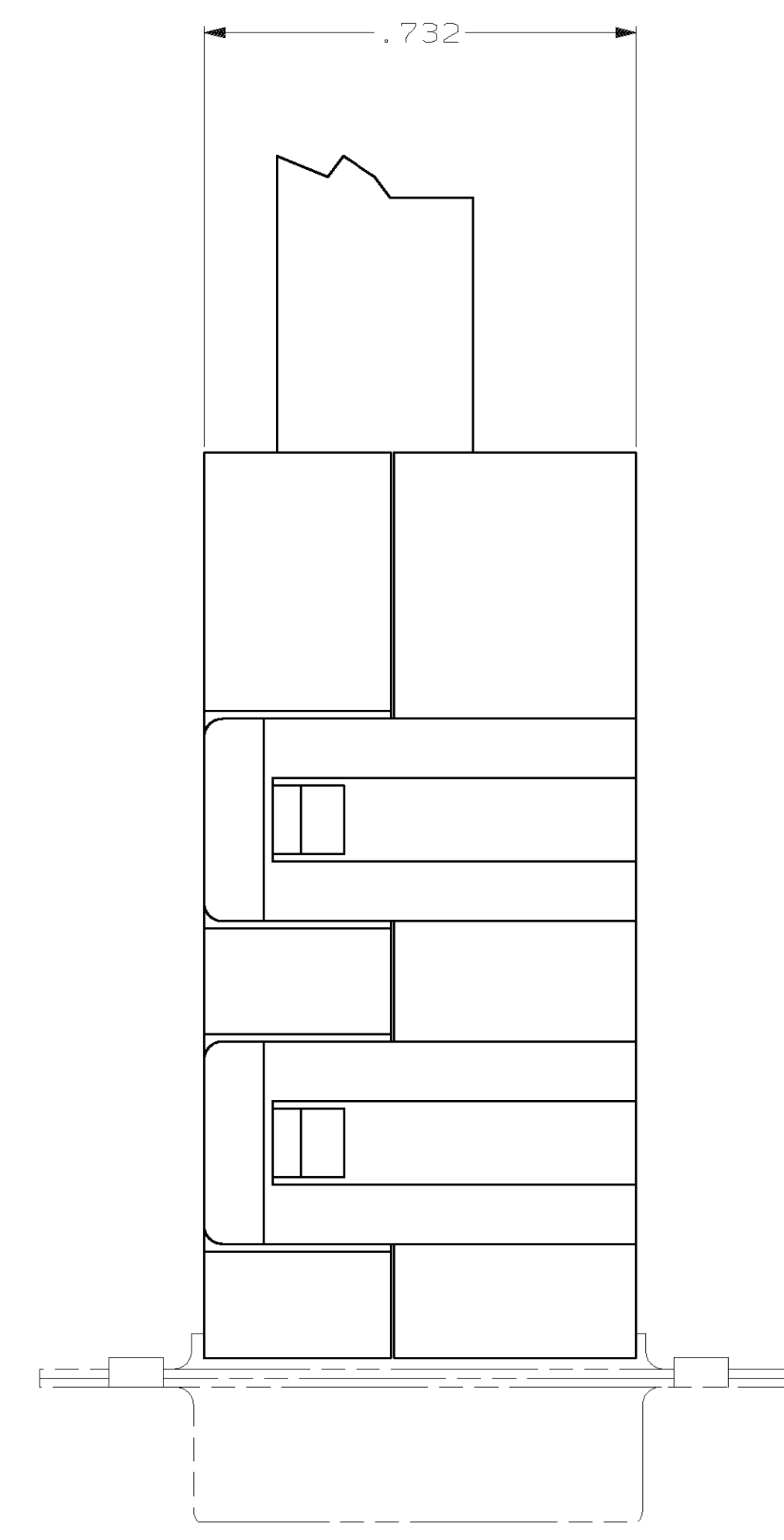
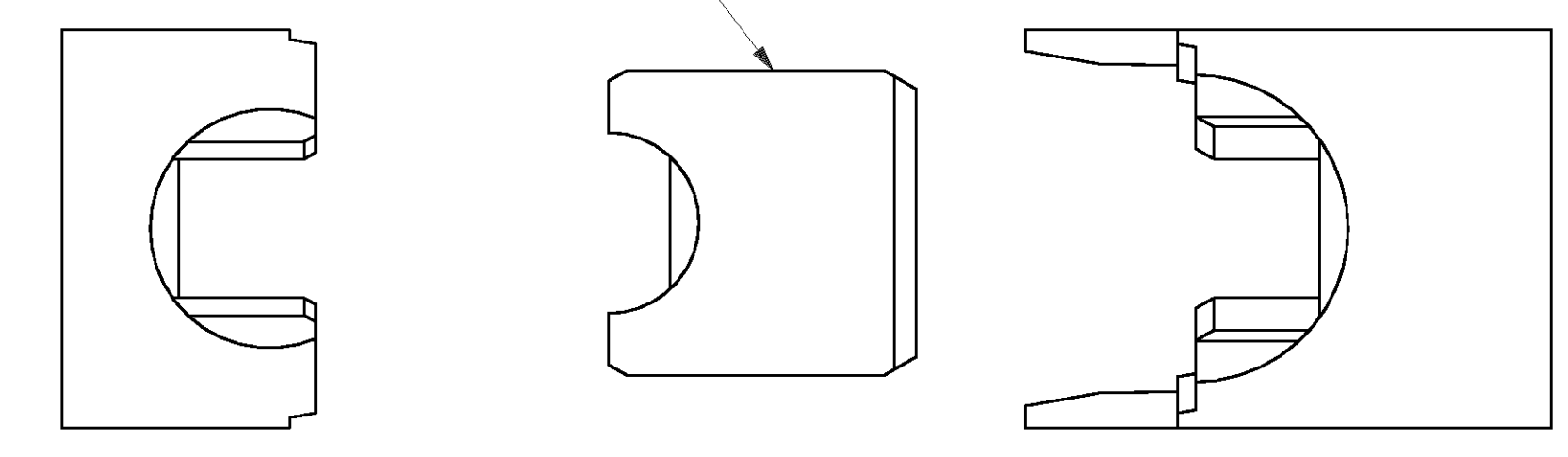


REVISIONS									
MOD	LOC	DIST	P	F	ZONE	LTR	DESCRIPTION	DATE	APPD
22	BD	39				B	REDRAWN ON CAD	6-12-90	-

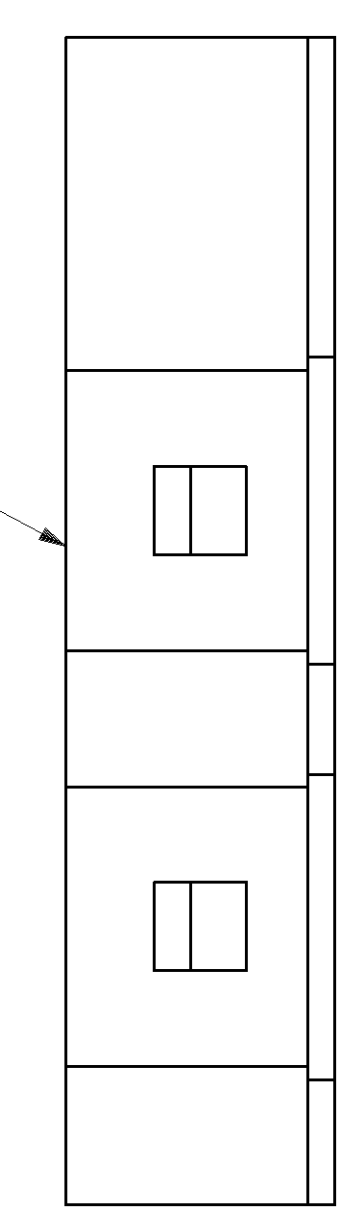
- 1 ALL PARTS ARE PACKAGED UNASSEMBLED.
- 2 COVERS FIT HDE -20 TYPE CONNECTORS, BOTH PLASTIC & METAL SHELL ASSEMBLIES.
- 3 SIZE NUMBER MOLDED ON ALL PARTS.
- 4 PARTS ASSEMBLE WITHOUT HARDWARE.
- 5 KIT CONSISTS OF 2 COVERS & 1 GATE ASSORTMENT.
- 6 EACH PART IS INDIVIDUALLY BULK PACKED FOR MULTIPLE KIT ORDERS.

ASSORTED CABLE SUPPORT GATES (FOR VARIETY OF CABLE SIZES)
 SUPPLIED WITH CABLE CLAMP ASSEMBLIES

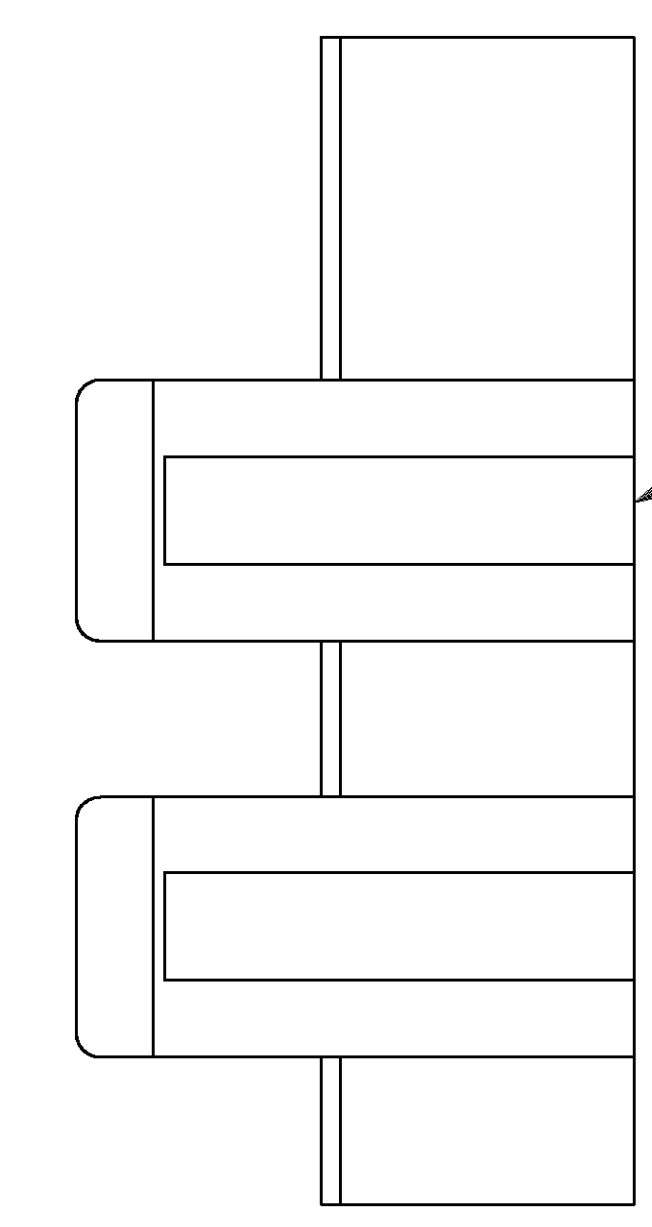


CLAMP ACCOMODATES DISCRETE WIRES OR
 JACKETED CABLE UP TO .330 INCH DIAMETER

F COVER
 1 REQUIRED
 PER ASSEMBLY



M COVER
 1 REQUIRED
 PER ASSEMBLY



	H
PLUG	1.582
RECEPTACLE	1.533

1	6	745547-2
2	5	745547-1
PACKAGING		PART NUMBER

DO NOT SCALE PRINT. UNLESS SPECIFIED DIMENSIONS IN INCHES TOLERANCES ON:		DR 5/12/90 A. STAUB BG		AMP INCORPORATED Harrisburg, Pa. 17105	
1 PLC DEC ± .015		CHK -			
2 PLC DEC ± .015		APPD -		NAME	
3 PLC DEC ± .015		APPD -		KIT, LOW PROFILE, 180° CABLE	
ANGLES ± -		APPD -		CLAMP, SIZE 1, 9 POSITION,	
MATERIAL		PRODUCT SPEC		AMPLIMITE™ HDE-20	
BLACK THERMOPLASTIC		-		SIZE	
FINISH		APPLICATION SPEC		FSCM NO	
-		-		00779	
WEIGHT		-		DRAWING NO	
-		-		745547	
		SCALE		SHEET	
		4:1		1 OF 1	